

MUSE™ Logic Builder™

FEATURES

- Has an Easy-to-Use Graphical User Interface which Includes Built-In WYSIWYG Editing Tools
- Indicates Logical Path While in Stand-alone Desktop Mode or During Real-Time Flight Simulation
- Writes Schematic Data to a File in XML Format
- Runs in the Linux® Environment; Uses Qt™ and OpenSceneGraph Libraries

BENEFITS

- Reduces Program Debugging Time
- Minimizes the Learning Curve for Logic Schematic Creation!

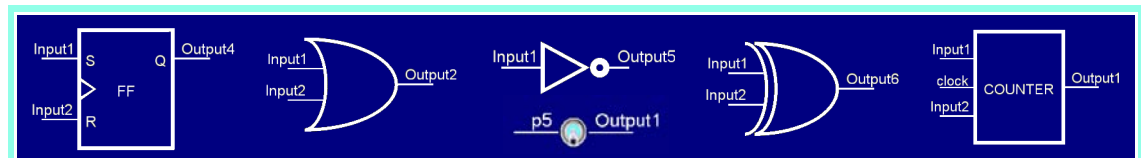
The MUSE™ Logic Builder™ provides the ability to create electronic logic schematics that can be used for application program development, debugging, and troubleshooting. The schematics you create with Logic Builder™ will be **fully interactive** with your actual simulation hardware. – You can turn on power, switches, and lamps and observe the execution of the circuitry logic right **inside your diagram!** You can perform diagnostics either in real-time, while the hardware is functionally operational, or when running in stand-alone desktop simulation mode.

The Logic Builder™ allows you to logically connect software variables, signals, and electronic inputs/outputs to graphical components and store the information in an XML data file that can be used by your application program.

Schematic Design Capabilities

The functions and features of the Logic Builder™ are specifically designed to aid in the rapid development of usable logic schematics:

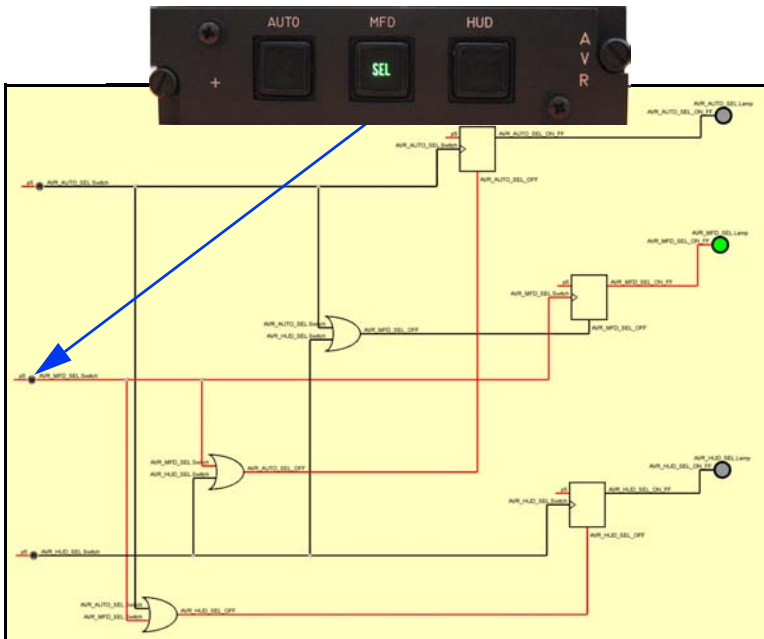
- **Easy Symbol Creation** – You can easily add symbols either via the drag-and-drop method or the menu. You can reposition symbols in the schematic just by dragging them.
- **Automatic Line Connection** – You do not have to draw any connecting lines between symbols; the Logic Builder™ automatically makes the connections for you.
- **Automatic Character Matches** – The Logic Builder™ performs character matches as you enter names and allows you to select an item from a list, rather than having to enter the entire name.
- **Automatic Links to Corresponding Schematics** – The Logic Builder™ automatically recognizes input and output links to other schematics within your project and enables you to easily access any corresponding schematics.
- **Built-in Validation Checking** – The Logic Builder™ performs validation checks, helping to minimize possible human error (such as a duplicate output name).
- **Easy Visual Adjustment** – You can easily center, resize or re-position the schematic in the field-of-view.
- **Global and Local Search Capabilities** – You can search globally (across your current project's files) or locally (within the current schematic) for output names based on a character string match, and then select one of the matching items and be automatically repositioned on the selected output.
- **Variable Definition Capabilities** – You can define, list, and delete the software variables used in your schematic.
- **Export Capabilities** – You can export the schematic to a graphic format file.





Interactive Diagnostic/Test Capabilities

You can debug software-to-hardware logic communication as you create the schematic, and/or use the schematic as a diagnostic tool for maintenance and support personnel.

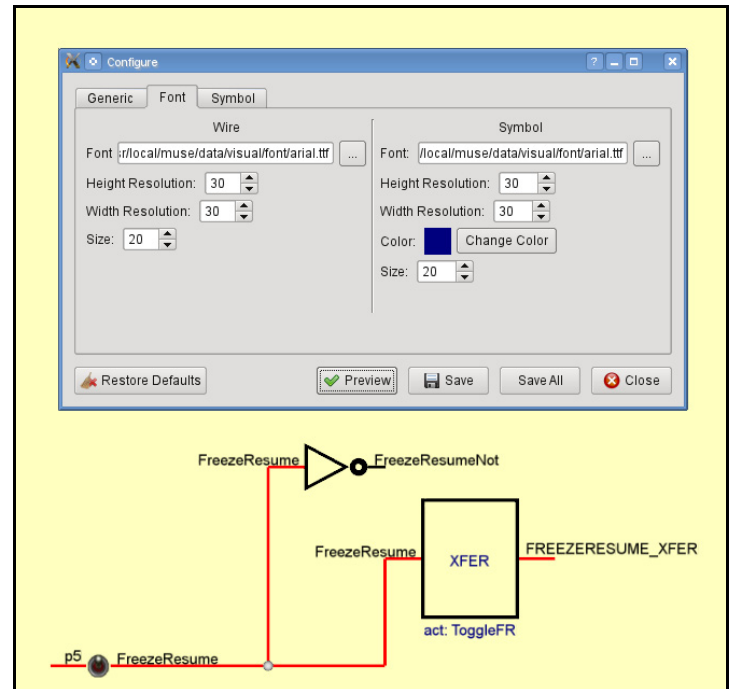


The schematic's logic can be exercised and the results viewed in Real-Time mode (while the simulator is running) or in Simulation mode (while the simulator is offline). In addition, you can modify a schematic and observe the logical effect of the update within seconds of making any change(s).

Customization Capabilities

You can customize Logic Builder elements to meet your site's design standards, or your personal preferences, such as:

- Schematic background color
- Font size and color for text
- Symbol graphic widths
- Connector, negation bubble, and wire widths
- Logic gate, edit, and transversal connector colors



INTERNATIONAL BUSINESS PARTNERS